

• Unique solutions



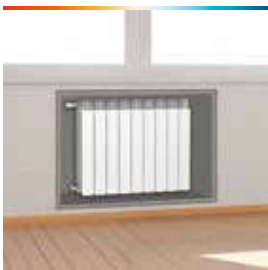
DLF 

Unique and advanced design for vertical or horizontal installation

VERTICAL INSTALLATION

- Vertical installation with compact dimensions, only 200 mm depth.
- The best solution for replacing radiator.
- The best solution in rooms with no space for ceiling installation.
- Creates a clean and modern design after installation.

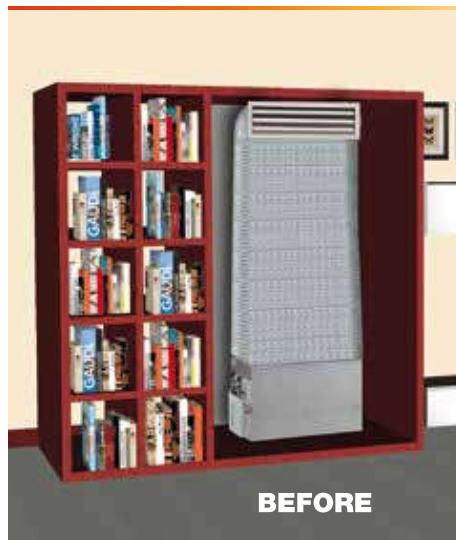
【 BEFORE 】



【 AFTER 】

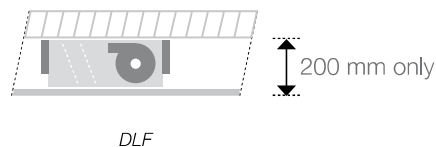
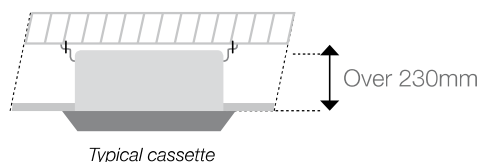


【 COMBINATION MODERN CONSTRUCTION 】



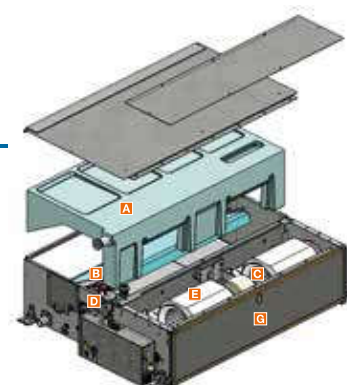
HORIZONTAL INSTALLATION

- Space saving by minimizing the requirement of ceiling height.
- Ideal solution for hotel and bedroom due to super quiet and extremely compact design.



COMPREHENSIVE STRUCTURE DESIGN

- | | |
|-----------------------------------|---------------------|
| A Drain pan | E Fan |
| B Coil | F Controller |
| C DC motor | G Air filter |
| D Water pump + water level | |





Unique solutions

+ PRODUCTS

- Horizontal or vertical installation.
- Extra slim.
- Water pump included.



RCW2 RC08W (optional)

FEATURES

DC INVERTER	LOW VOLTAGE STARTUP	LOW TEMPERATURE STARTUP	R410A FLUID
ELECTRONIC EXPANSION VALVE	AUTO CLEAN/DRY	FILTER CLEAN INDICATION	I FEEL
SLEEP MODE	SUPER QUIET	TURBO MODE	24 H PROGRAMMABLE TIMER
SELF DIAGNOSTIC	LOW BATTERY INDICATION	AUTO RESTART (MEMORY)	REMOTE CONTROL LOCK
ADVANCED DEFROST	INTEGRATED WATER PUMP	FREQUENCY CONTROL INCLUDING AIRFLOW	ALARM OUTPUT
BMS COMPATIBLE	SERVICE MONITOR TOOL	POWER CONSUMPTION CONTROL	WIFI REMOTE CONTROL DIAGNOSTIC
OUTDOOR UNIT DIGITAL DIAGNOSTIC	OUTDOOR UNIT NIGHT MODE DRY CONTACT	OUTDOOR UNIT STAND-BY	OUTDOOR UNIT ALARM OUTPUT
FULL LENGTH REFRIGERANT PRECHARGE	TECHNICIAN TEST MODE	LOW AMBIENT COOLING	LOW AMBIENT HEATING
WiFi			



- “I Feel” function with precise room temperature control.
- Super quiet line thanks to advance aerodynamic fans and DC motor.
- Heating mode only force option.
- Treatment of corrosion on outdoor units and electronic cards.
- Possibility to reverse dry contact: normally open/normally closed.



OPTIONS

Accessory	Part number	Photo	Function										
Wireless controller RC08W	7ACEL1741		Operation mode, sleep mode, timer, I Feel, swing, clean mode...										
Duct plenum for DLF 18	7ACVF0516		Round duct connection with the following combination.										
Duct plenum for DLF 24	7ACVF0517		<table border="1"> <thead> <tr> <th rowspan="2">Indoor model name</th> <th colspan="2">Hoses connection</th> </tr> <tr> <th>Option 1</th> <th>Option 2</th> </tr> </thead> <tbody> <tr> <td>DLF 18</td> <td>3x160mm</td> <td>1x160mm + 1x200mm</td> </tr> <tr> <td>DLF 24</td> <td>4x160mm</td> <td>1x160mm + 1x200mm</td> </tr> </tbody> </table>	Indoor model name	Hoses connection		Option 1	Option 2	DLF 18	3x160mm	1x160mm + 1x200mm	DLF 24	4x160mm
Indoor model name	Hoses connection												
	Option 1	Option 2											
DLF 18	3x160mm	1x160mm + 1x200mm											
DLF 24	4x160mm	1x160mm + 1x200mm											



DLF TECHNICAL DATA

Indoor units		AWSI-DLF018-N11	AWSI-DLF024-N11
Outdoor units		AWAU-YBDE018-H11	AWAU-YBDE024-H11
COOLING			
Rated power	kW	5.0 (1.5-5.8)	7.0 (1.5-7.5)
Pdesignc	kW	5.0	7.0
Rated power input	kW	1.23	1.70
SEER/Energy label		5.4/A	5.6/A+
Operating limits	°C	-10°/46° dry bulb	
HEATING			
Rated power	kW	5.6 (1.3-6.8)	7.6 (1.5-8.8)
Pdesignh	kW	4.8	7.5
Rated power input	kW	1.52	1.78
SCOP/Energy label (average climate)		3.9/A	3.8/A
SCOP/Energy label (warmer climate)		4.3/A+	4.7/A++
Operating limits	°C	-15°/24° dry bulb	
Power @ -10°C	kW	5.3	5.4
Power @ -15°C	kW	4.7	4.8
INDOOR UNIT			
Sound pressure level to 1 m (LS/MS/HS)	dB(A)	29/32/35	32/35/39
Sound power level (LS/MS/HS)	dB(A)	48/51/54	56/59/63
Airflow (LS/MS/HS)	m³/h	540/600/710	900/950/1150
External static pressure Range	Pa	0-40	0-40
Dehumidification	l/h	1.8	2.7
Outline dimensions (WxHxD)	mm	750x200x630	1050x200x630
Package dimensions (WxHxD)	mm	890x243x710	1190x243x710
Net weight/Gross weight	kg	21/23	25/28
Part number		7SP022748	7SP022749
OUTDOOR UNIT			
Sound pressure level to 1 m	dB(A)	53	55
Sound power level	dB(A)	65	67
Airflow	m³/h	2500	2750
Compressor type		Twin Rotary DC Inverter	Twin Rotary DC Inverter
Outline dimensions (WxHxD)	mm	900x700x340	900x700x340
Package dimensions (WxHxD)	mm	985x730x435	985x730x435
Net weight/Gross weight	kg	56/58,5	61/63,5
Part number		7SP061886	7SP061887
POWER SUPPLY 1~230V - 50 HZ			
Power supply side		Indoor & Outdoor	Outdoor
Power cable section	mm²	3x2.5	3x2.5
Fuse rating am	A	20	20
Electrical connections	mm²	4x1.5	4x1.5
PIPE LINE			
Suction pipe diameter	inches	1/2"	5/8"
Liquid pipe diameter	inches	1/4"	3/8"
Max. length	m	30	30
Max. height	m	15	15

COMBINATIONS

Indoor unit	Compatible with outdoor unit
Ducted	Monosplit
DLF 	YBDE 